

SPECIFICATIONS

Insulation Resistance:	100MΩ minimum
Contact Resistance:	20mΩ maximum
Withstanding Voltage:	500V ACrms for 1 minute
Voltage Rating:	125V DC
Current Rating:	1A
Operating Temp. Range:	-25°C to +85°C
Solder Temperature:	230°C min. / 60 sec., 260°C peak
Mating Cycles:	min 30 times

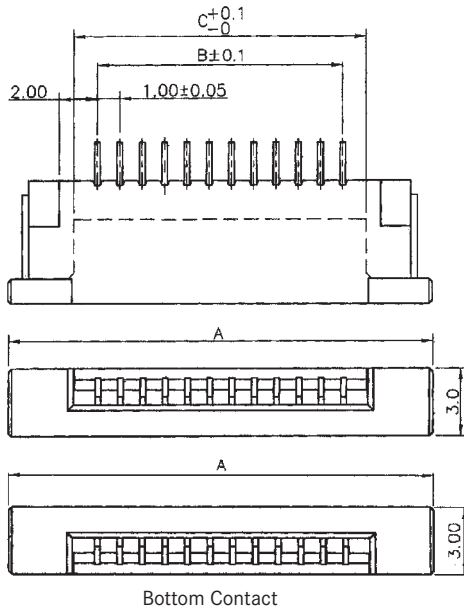
MATERIALS AND FINISH

Housing:	High-Temp. Thermoplastic (UL94V-0)
Actuator:	High-Temp. Thermoplastic (UL94V-0)
Contacts:	Copper Alloy, Tin Plated

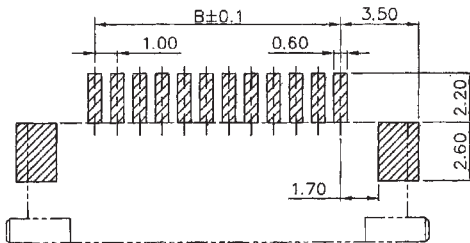
FEATURES

- 90° SMT Zero Insertion Force connector for 1.00mm Flexible Flat Cable (FFC) and Flexible Printed Circuit (FPC) appliances
- Top or bottom contact type

OUTLINE DIMENSIONS FOR TOP CONTACT

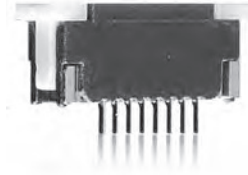
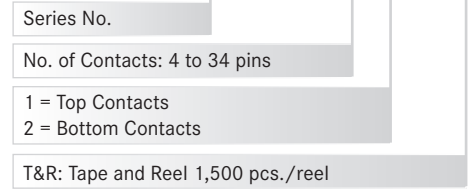


RECOMMENDED PCB LAYOUTS

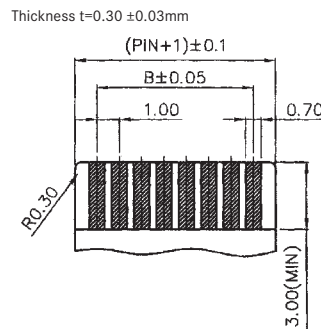


PART NUMBER

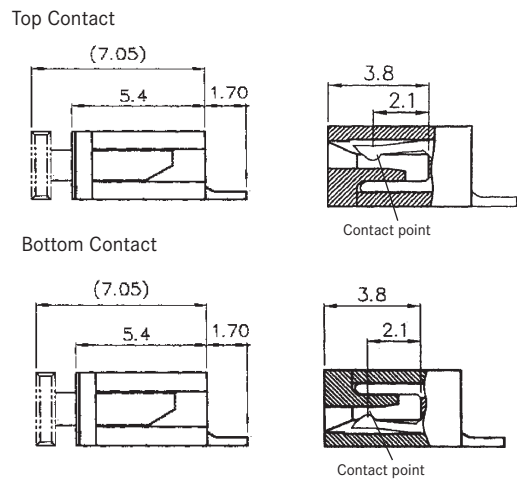
FPC-96212 - ** *1 - T&R



RECOMMENDED FPC CABLE



CONTACTS (SIDE VIEW)



Part Number	Dim. A	Dim. B	Dim. C	Part Number	Dim. A	Dim. B	Dim. C	Part Number	Dim. A	Dim. B	Dim. C
FPC-96212-04*1	11.00	3.00	5.15	FPC-96212-14*1	21.00	13.00	15.15	FPC-96212-25*1	32.00	24.00	26.15
FPC-96212-05*1	12.00	4.00	6.15	FPC-96212-15*1	22.00	14.00	16.15	FPC-96212-25*1	32.00	24.00	26.15
FPC-96212-06*1	13.00	5.00	7.15	FPC-96212-16*1	23.00	15.00	17.15	FPC-96212-26*1	33.00	25.00	27.15
FPC-96212-07*1	14.00	6.00	8.15	FPC-96212-17*1	24.00	16.00	18.15	FPC-96212-2721	34.00	26.00	28.15
FPC-96212-08*1	15.00	7.00	9.15	FPC-96212-18*1	25.00	17.00	19.15	FPC-96212-28*1	35.00	27.00	29.15
FPC-96212-0911	16.00	8.00	10.15	FPC-96212-1921	26.00	18.00	20.15	FPC-96212-30*1	37.00	29.00	31.15
FPC-96212-10*1	17.00	9.00	11.15	FPC-96212-20*1	27.00	19.00	21.15	FPC-96212-3221	39.00	31.00	33.15
FPC-96212-11*1	18.00	10.00	12.15	FPC-96212-22*1	29.00	21.00	23.15	FPC-96212-34*1	41.00	33.00	35.15
FPC-96212-12*1	19.00	11.00	13.15	FPC-96212-23*1	30.00	22.00	24.15				
FPC-96212-13*1	20.00	12.00	14.15	FPC-96212-24*1	31.00	23.00	25.15				