

SPECIFICATIONS

Insulation Resistance:	1,000MΩ min. at 500V DC
Withstanding Voltage:	500V ACrms for 1 minute
Contact Resistance:	15mΩ max. at 10mA
Current Rating:	1A
Operating Temp. Range:	-20°C to +85°C
Soldering Temperature:	260°C / 5 sec.

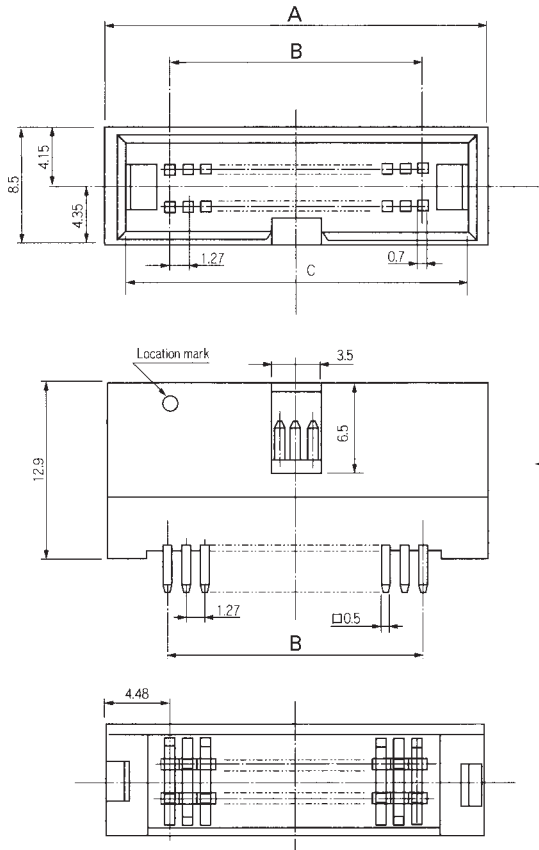
MATERIALS AND FINISH

Housing:	PBT (glass filled), UL 94V-0 rated
Contacts:	Phosphor Bronze
Plating:	Au over Ni

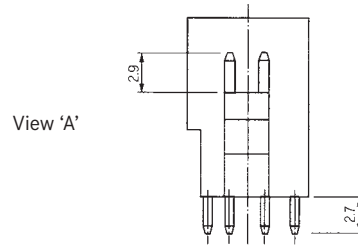
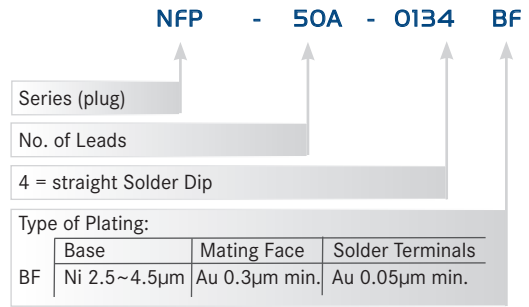
FEATURES

- Contact pitch 1.27mm connectors for high-density mounting

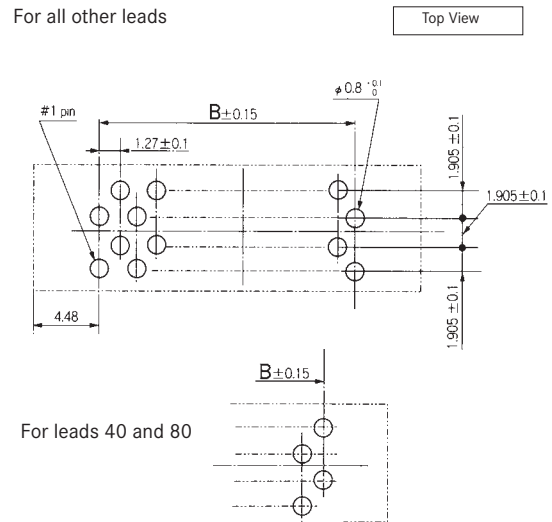
OUTLINE DIMENSIONS



PART NUMBER



RECOMMENDED PCB LAYOUT



1) For the following versions below please contact Yamaichi, minimum order quantity may be required

Part Number	No. of Leads	A	B	C
NFP-16A-0134BF	16	17.85	8.89	15.39
NFP-20A-0134BF	20	20.39	11.43	17.93
NFP-26A-0134BF	26	24.20	15.24	21.74
NFP-34A-0134BF	34	29.28	20.32	26.82
NFP-40A-0134BF	40	33.09	24.13	30.63
NFP-50A-0134BF	50	39.44	30.48	36.98
NFP-60A-0134BF 1)	60	45.79	36.83	43.33
NFP-68A-0134BF 1)	68	50.87	41.91	47.91
NFP-80A-0134BF	80	58.49	49.53	56.03
NFP-80A-0132BF	80	58.49	49.53	56.03