

Special Features

- Sealed against moisture and dust – watertight gasket option and IP67 sealing available
- Optional internal resistor for 5V-28VDC – resistor on lead for 3 leaded bicolor LED
- Custom assemblies for 5V-28VAC and 120VAC
- Mil Spec MIL-W22759/33 wire and connector options
- Available with longer threads for panels up to .315" (8.00mm) thick

Specifications

- Mounting hole: .236 +0.004/-0" (6.0 +0.1/-0 mm)
- Termination: 24 AWG UL1061 6.0" (152.4mm) red (anode) and black (cathode) leads stripped to .250" (6.35 mm) standard or LED pins
- Housing: Nickel plated brass housing or black matte finish – short or long threads
- Maximum panel thickness:
 - CD: .150" (3.81 mm) or .09" (2.29 mm) watertight
 - CDLB: .315" (8.0 mm) or .256" (6.5 mm) watertight
- Mounting torque: 20 ± 2 in-lb (2.26 ± 0.23 N-m)

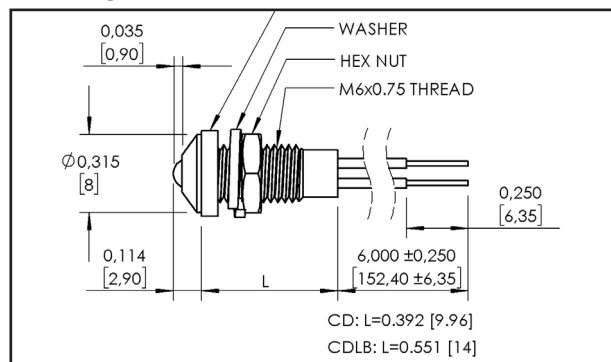
Electrical and Optical Characteristics (TA = 25°C)

LED Part #	Color	Luminous Intensity (mcd) Typ. @ I _f (mA)	V _f Typ. @ I _f (mA)	Viewing Angle 2 θ ½	Peak Wavelength (nm)		
HIGH EFFICIENCY							
8708	Red	40.0	20	2.0	20	35°	635
8709	Green	40.0	20	2.2	20	35°	568
8710	Yellow	30.0	20	2.1	20	35°	585
BICOLOR (2 leaded)							
8700	Red	30.0	20	2.0	20	45°	635
	Green	30.0	20	2.2	20		568
8701	Yellow	15.0	20	2.1	20	45°	585
	Green	30.0	20	2.2	20		568
BICOLOR (3 leaded-common cathode)							
3804	Red	44.0	20	2.0	20	60°	627
	Green	34.0	20	2.2	20		565
3803	Yellow	17.0	20	2.1	20	60°	590
	Green	34.0	20	2.2	20		565
BLINKING (Operates at 3.5V to 14V, blinking frequency from 3.0Hz to 1.5Hz)							
8713	Red	198.0	22	5.0	22	60°	660
ULTRA BRIGHT - DAYLIGHT READABLE							
2702	Red	299.0	20	1.85	20	60°	660
2700	Green	199.0	20	2.1	20	60°	574
2701	Yellow	219.0	20	2.0	20	60°	590
SUPER BLUE							
8711	Blue	2300.0	20	3.5	20	25°	470
WHITE							
8712	White	250.0	20	3.6	20	30°	N/A



3mm Panel Mount LED Assemblies

Package Dimensions



All dimensions are in inches (mm)

Resistor Chart

OPERATING SPECIFICATIONS				
Resistor Value Code	Voltage	Current (mA)	Resistor Value (Ohms) Green, Yellow Red, Bicolor LED	Resistor Value (Ohms) Blue, White LED
0000	2	10 or 20	None	Not Available
9900	5	10	332	
9928	5	10		121
9901	12	10	1000	
9902	12	10		715
9903	24	10	2210	
9904	24	10		1910
9905	28	10	2610	
9906	28	10		2320
9907	5	20	150	
9922	5	20		65
9908	12	20	511	
9909	12	20		357
9910	24	20	1100	
9911	24	20		953
9923	28	20	1500	
9933	28	20		1300
9920	120VAC	8	6490	Contact WLI

Note: Bi-Color and Tri-Color not available in AC Voltages

How To Order

