

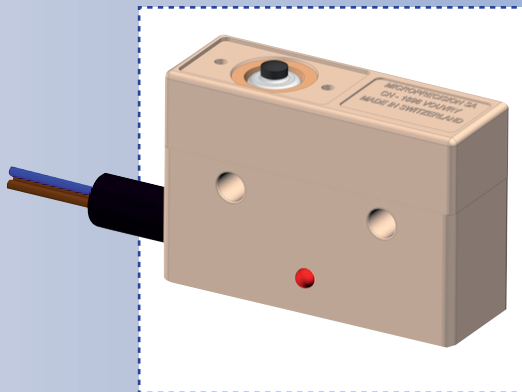
Limit Switch with LED Status Indication



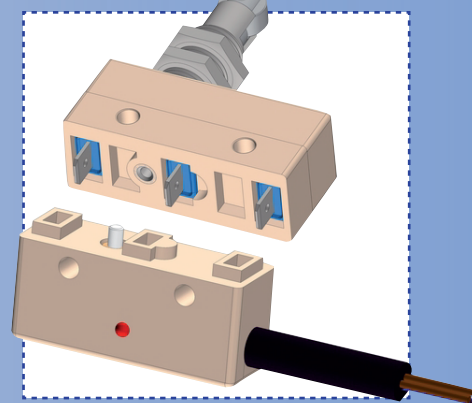
The limit switch family MP100 and MP200 can be equipped with built-in LED to indicate the actual switch status. This feature helps to verify correct wiring and application setup in automation systems.

- Built-in LED to indicate switch and power status
- Single color or bicolor LED for NC, NO or change-over indication
- Built-in M8 connector with 4-pins for easy connection
- External cable with or without M12 connector also available
- NPN or PNP circuit type

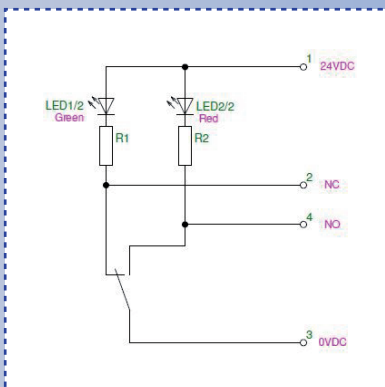
MP200



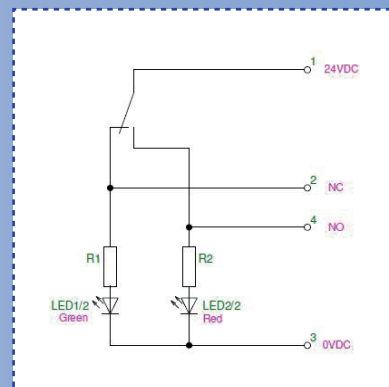
MP100



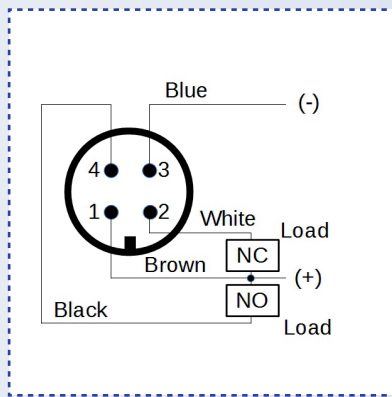
NPN circuit



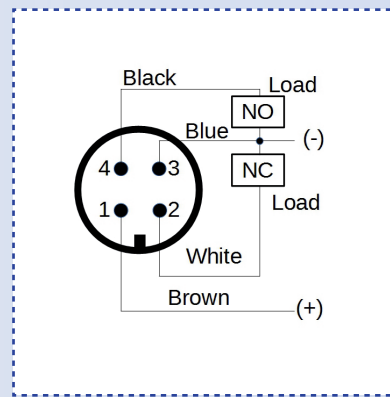
PNP circuit



NPN connector



PNP connector



- Also available with only NC or NO wiring
- Current consumption approx. 15mA per LED
- Only to be used on 24VDC, for other supply voltages contact factory
- Operating temperature range: -20°C / 85°C
- Available with PVC cable only

Order information:

Complete MP211 or MP100 designation

8

N

3

Connection

8: Built in M8

12: M12 on 2m PVC Cable

C: PVC Cable without termination

Circuit

N: NPN

P: PNP

Indication

3: Change over bicolor

O: Normally open (red)

C: Normally closed (green)

Example

MP211-5AL/4100/200PVC/CNO

MP211-O/8NC

MP100-K2/10/CNO

MP100/8NC

Microprecision Electronics SA

P.O. Box 160 • Route de l'Industrie 27
CH-1896 VOUVRY • SWITZERLAND
Tel. +41 (0)24 481 43 43 • Fax: +41 (0)24 481 43 60
info@microprecision.ch • www.microprecision.ch

Microprecision Hispana

C./ Ripollès, 24 • Polígon Industrial El Pla
17486 Castelló d'Empúries (Girona) • ESPAÑA
Tel +34 972 10 47 50
info@microprecision.es • www.microprecision.es